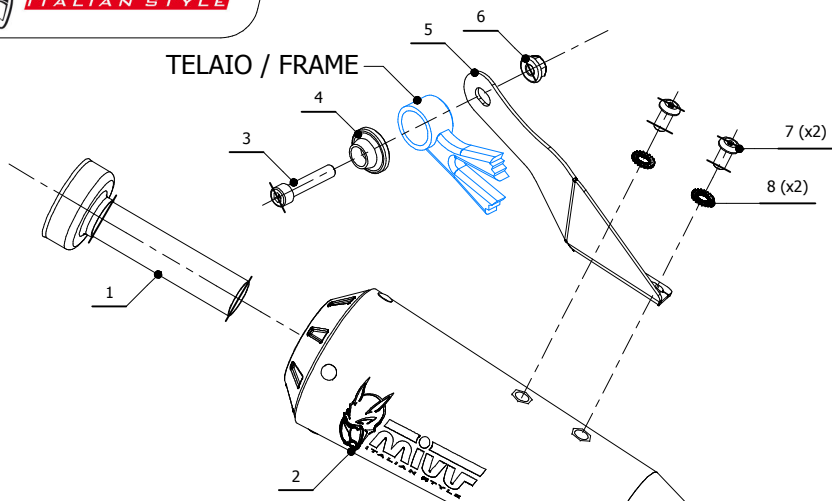




YAMAHA MT-125 2020- / YAMAHA YZF R125 2019-

X-M1



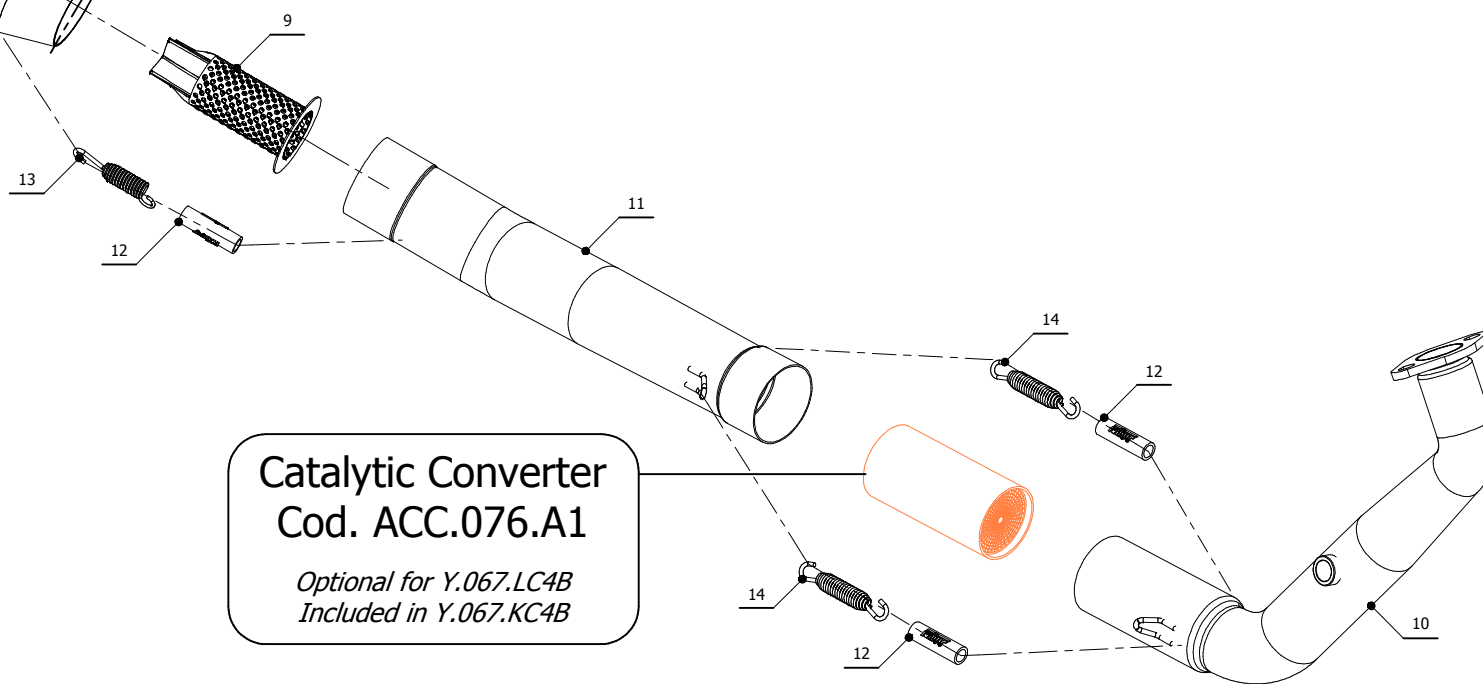
ELENCO PARTI / PARTS LIST			
#	QTÀ / QTY	DESCRIZIONE / DESCRIPTION	CODICE / CODE
1	1	DB killer / DB killer	50.DK.159.0
2	1	Silenziatore / Muffler	X-M1 Ø55
3	1	Vite M8x40 / Screw M8x40	50.73.075.1
4	1	Rondella in alluminio nera / Black aluminium washer	50.73.221.1
5	1	Staffa / Bracket	50.SS.1286.0
6	1	Dado M8 flangiato / Flanged nut M8	50.73.393.1
7	2	Vite M8 x 16 / Screw M8 x 16	50.73.098.1
8	2	Rondella di sicurezza / Safety washer	50.73.604.1
9	1	Db Killer forato / Drilled DB killer	50.DK.082.0
10	1	Tubo collettore / Down pipe	9773Y067S2A
11	1	Tubo di raccordo / Link pipe	9773Y067S2B
12	3	Gommino per molla / Rubber for spring	50.73.210.1
13	1	Molla corta / Short Spring	50.73.123.1
14	2	Molla media / Mid-size spring	50.73.359.1

50.73.111.1



TAPPO SONDA LAMBDA
Usare su versioni Euro4 (RE39)

LAMBDA PROBE CAP
Use only on Euro4 version (RE39)



Catalytic Converter
Cod. ACC.076.A1
Optional for Y.067.LC4B
Included in Y.067.KC4B

APPLICAZIONI / APPLICATIONS			
CODICE / CODE	NOTE	TUBO / PIPE	SILENZIATORE / MUFFLER
Y.067.LC4B	CATALYTIC CONVERTER NOT INCLUDED	INOX / ST. STEEL	BLACK
Y.067.KC4B	CATALYTIC CONVERTER INCLUDED		